

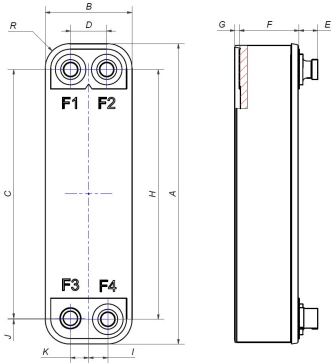
SWEP B20, 0294900.0-Preconfig

Configuration number (CN) with sort key: 0294900.0-Preconfig

Denomination: B20Hx70/1P-NSC-M 9.65+16+2x1"&22U

Number of plates (NoP): 70

Standard dimensions



#	MM	IN
A	324 (+2/-2)	12.76 (0.08/-0.08)
B	94 (+1/-1)	3.7 (0.04/-0.04)
C	268.20 (+1/-1)	10.56 (0.04/-0.04)
D	39 (+1/-1)	1.54 (0.04/-0.04)
F	108 (+3/-3)	4.26 (0.13/-0.13)
G	5 (+1/-1)	0.2 (0.04/-0.04)
H	269.20 (+1/-1)	10.6 (0.04/-0.04)
I	20.70 (+0.50/-0.50)	0.81 (0.02/-0.02)
J	1	0.04
K	19.70 (+0.50/-0.50)	0.78 (0.02/-0.02)
R	26	1.02

Measurement (Tolerance)

Connections

F = Front side connections, P = Back side connections

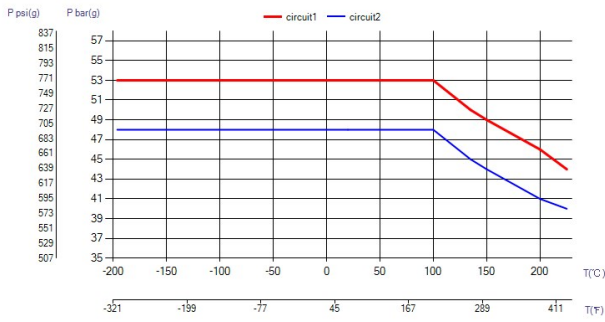
POSITION	ART. NO.	DENOMINATION	HEIGHT (E)	MATERIAL
F1	33241	SOLDER 16 AISI 304	20	Stainless Steel 304
F2, F4	32566	ISO-G 1" A&SOLDER 22U	20	Stainless Steel 316
F3	41625	SOLDER 9.65 AISI 304	20	Stainless Steel 304

Accessories

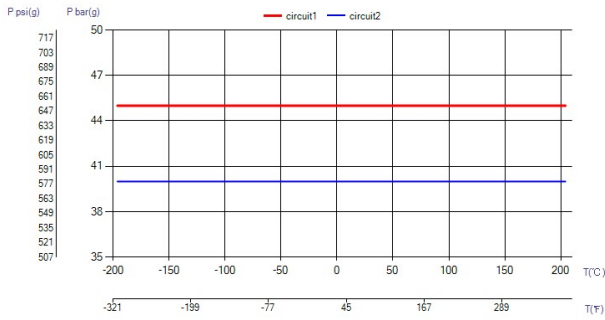
Not visible in sketch

ART. NO.	DENOMINATION
24029	20 STUD BOLT LOC.P 2x180 (M8x30)

PED Pressure / Temperature



UL Pressure / Temperature



Product Data

PED Category	II
Total weight, including connections	6.0 kg
Total Heat Transfer area	2.1 m ² (22.4 ft ²)
Hold up volume circuit 1	1.0642 dm ³ (0.038 ft ³)
Hold up volume circuit 2	1.0535 dm ³ (0.037 ft ³)

MATERIALS

316 Stainless Steel Plates, Cover Plates in 304 Stainless Steel, Copper Brazing

Disclaimer

The information and recommendations in regards to the products are presented in good faith, however, SWEP makes no representations or warranties as to the completeness or accuracy of the information. Information is supplied upon the condition that the purchasers will make their own determination as to the products' suitability for their purposes prior to use. Purchasers should note that the properties of the products are both application and material selection dependent and that products containing stainless steel are still object to corrosion if used in unsuitable environments. Standard data is presented, product variants with different data may exist. Contact your SWEP sales representative for more details. SWEP may change any data without notice.