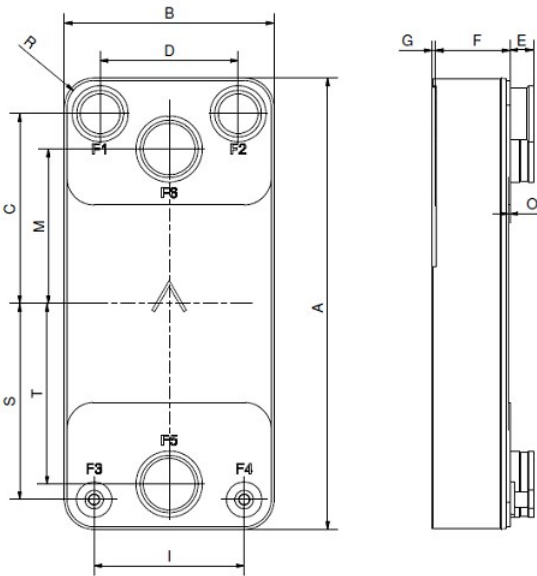


# SWEP DBD300

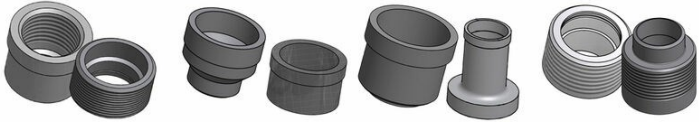
The DB300, equipped with our patented AsyMatrix® technology, is an asymmetric condenser combining low water pressure drop with high performance. The DB300 is a highly effective, versatile True Dual condenser which is the perfect choice for chillers and heat pump applications. Its advantage is its ability to deliver full performance at both full and half load.



<b>Maximum number of plates (NoP)</b>	346
<b>Max flow</b>	60 m³/h (264.17 gpm)
<b>Channel volume</b>	0.175/0.207 dm³ (0.0062/0.0073 ft³)
<b>Material</b>	316/316L stainless steel plates, copper brazing
<b>Weight excl. connections</b>	7.75+(0.336*NoP) kg 17.08+(0.741*NoP) lb
<b>Max Particle Size (mm)</b>	0.8



#	MM	IN
A	525	20.67
B	243	9.57
C	221	8.7
D	160	6.3
E_1	27	1.06
E_2	54	2.13
F	10+1.89*(NoP)	0.39+0.07 *(NoP)
G	4	0.16
I	174	6.85
M	180	7.09
O	2	0.08
R	32	1.26
S	228	8.98
T	210	8.27



Threaded Connection Victaulic Connection Solder Connection Combo Connection

