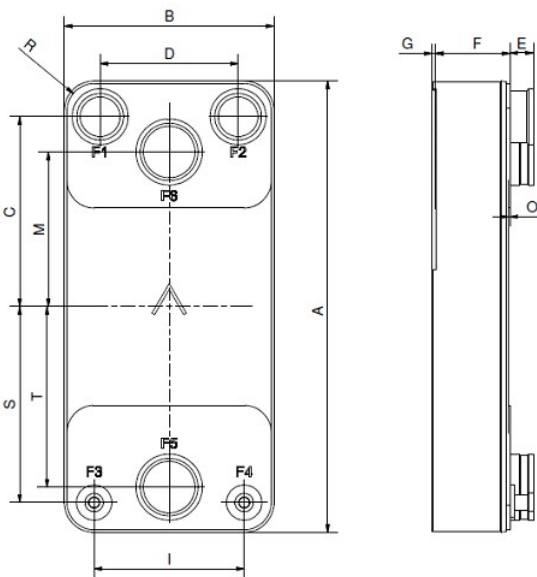


# SWEP DBD310

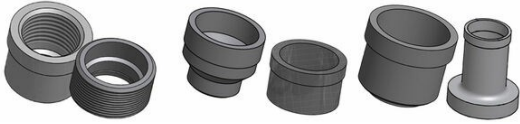
The DB310 is a highly effective, versatile true dual that is a natural choice for chillers and heat pump applications. Its advantage is its ability to offer full performance at both full and partial load. It is optimized for extreme performance with refrigerants. The product is approved for pressures of up to 49 bar (710 psi), so it can be used with the majority of current high-pressure refrigerants, enabling our customers to use the compressor's whole envelope. SWEP's versatile H pressure products enable efficient heat exchange in applications combining small flows and high pressures.



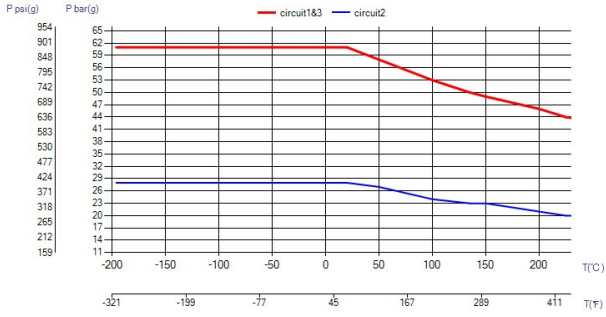
<b>Maximum number of plates (NoP)</b>	350
<b>Max flow</b>	60 m <sup>3</sup> /h (264.17 gpm)
<b>Channel volume</b>	0.177/0.215 dm <sup>3</sup> (0.0063/0.0076 ft <sup>3</sup> )
<b>Material</b>	316/316L stainless steel plates, copper brazing
<b>Weight excl. connections</b>	7.75+(0.336*NoP) kg 17.08+(0.741*NoP) lb
<b>Max Particle Size (mm)</b>	0.8



#	MM	IN
A	525	20.67
B	243	9.57
C	221	8.7
D	160	6.3
F	10,00+1,91*(NoP)	0.39+0.08 *(NoP)
G	4	0.16
I	174	6.85
M	180	7.09
O	2	0.08
R	32	1.26
S	228	8.98
T	210	8.27
E_1	27	1.06
E_2	54	2.13



Threaded Connection Victaulic Connection Solder Connection



## UL Tryck/Temperatur

