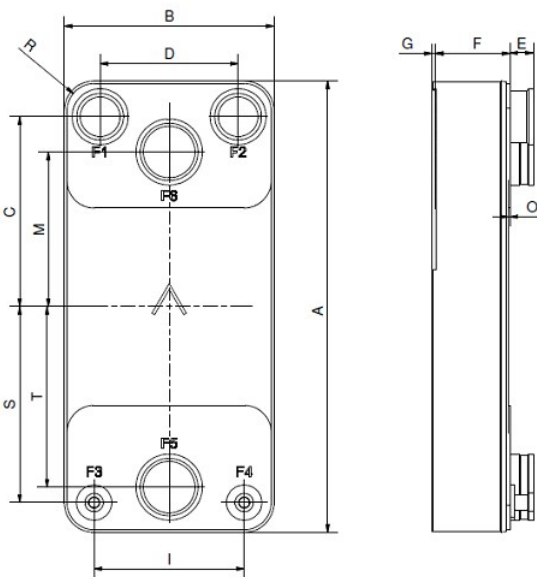


# SWEP DPD300

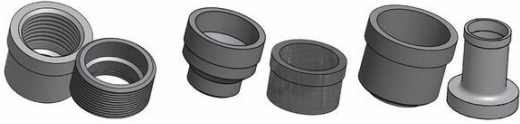
The DP300 is equipped with our patented AsyMatrix® technology and is an asymmetric evaporator combining low water pressure drop with high performance. The DP300 is a highly effective, versatile True Dual evaporator which is the perfect choice for chillers and heat pump applications. Its advantage is its ability to deliver full performance at both full and half load.



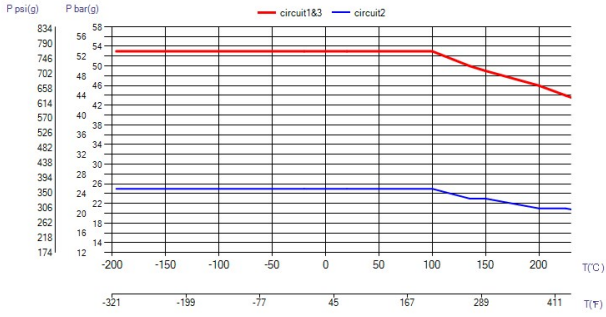
<b>Maximum number of plates (NoP)</b>	346
<b>Max flow</b>	60 m <sup>3</sup> /h (264.17 gpm)
<b>Channel volume</b>	0.175/0.207 dm <sup>3</sup> (0.0062/0.0073 ft <sup>3</sup> )
<b>Material</b>	316/316L stainless steel plates, copper brazing
<b>Weight excl. connections</b>	7.75+(0.348*NoP) kg 17.08+(0.767*NoP) lb
<b>Max Particle Size (mm)</b>	0.8



#	MM	IN
A	525	20.67
B	243	9.57
C	221	8.7
D	160	6.3
F	10,00+1,89*(NoP)	0.39+0.07 *(NoP)
G	4	0.16
I	174	6.85
M	180	7.09
O	2	0.08
R	32	1.26
S	228	8.98
T	210	8.27
E_1	27	1.06
E_2	54	2.13



Threaded Connection Victaulic Connection Solder Connection



## UL Tryck/Temperatur

