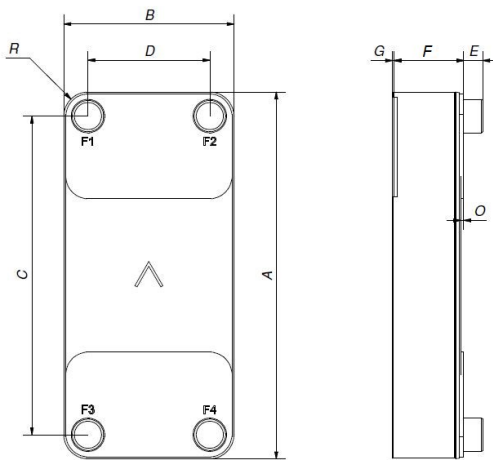


SWEP F120T

The F120T is an evaporator optimized for high performance. It combines compact size and a specially developed plate pattern in a highly efficient heat exchanger with a long thermal length. The F120T is the perfect choice for chillers, heat pumps, and economizers.



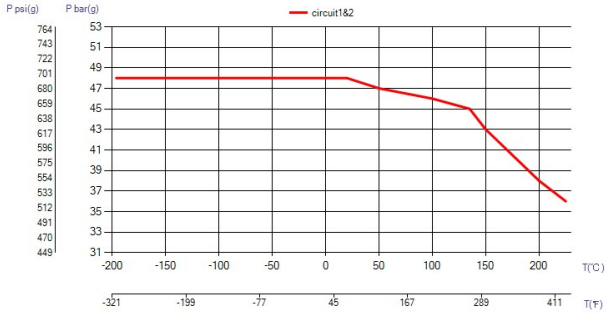
Maximum number of plates (NoP)	250
Max flow	27.4 m ³ /h (120.64 gpm)
Channel volume	0.241/0.241 dm ³ (0.0085/0.0085 ft ³)
Material	316/316L stainless steel plates, copper brazing
Weight excl. connections	8.33+(0.424*NoP) kg 18.36+(0.935*NoP) lb
Max Particle Size (mm)	1



#	MM	IN
A	525	20.67
B	243	9.57
C	456	17.95
D	174	6.85
F	10,00+2,29*(NoP)	0.39+0.09 *(NoP)
G	4	0.16
R	35	1.38
E_1	27	1.06
E_2	54	2.13



Threaded Connection Victaulic Connection Solder Connection Combo Connection Weld Connection



UL Tryck/Temperatur

