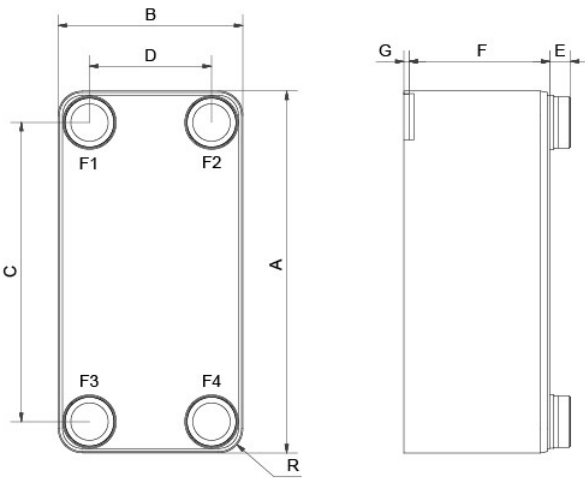


SWEP B222

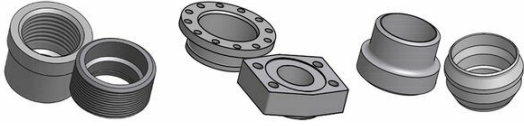
SWEP All-Stainless™ products are developed for systems demanding 100% stainless steel components. They can be used with fluids that are corrosive to copper such as ammonia and biogas or for sensitive applications where copper and nickel contamination must be avoided such as oil, DI water and pharmaceutical applications. SWEP's unique process technology enables a compact product with minimal material usage relative to its mechanical strength. This product is part of SWEP's range for larger capacities available in different plate designs and provides a great application fit meeting demands on high heat transfer performance as well as low pressure drop requirements.



Maximum number of plates (NoP)	150
Max flow	43 m³/h (189.32 gpm)
Channel volume	0.254/0.254 dm³ (0.0090/0.0090 ft³)
Material	316 Stainless Steel Plates, Stainless Steel Brazing
Weight excl. connections	10.40+(0.56*NoP) kg 22.93+(1.235*NoP) lb
Max Particle Size (mm)	0



#	MM	IN
A	529	20.83
B	271	10.67
C	439	17.28
D	179	7.05
F	18,40+2,40*(NoP)	0.72+0.09 *(NoP)
R	35.50	1.4
E_1	30	1.18
E_2	40	1.57
E_3	77	3.03



Threaded Connection Flange Connection Weld Connection

