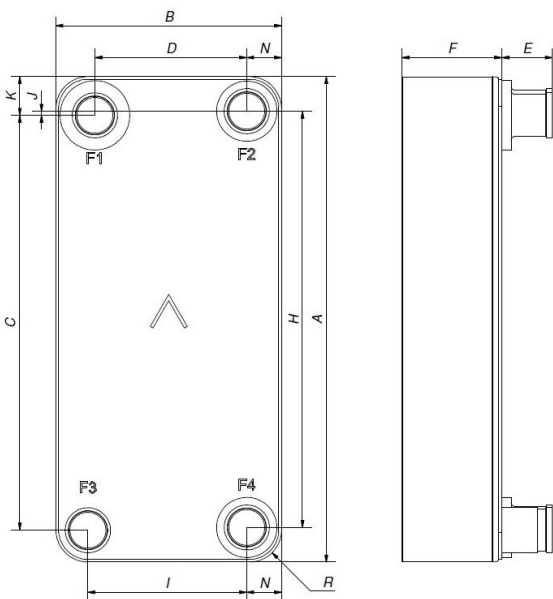


# SWEP B200T

The B200T is a condenser operating across a wide capacity interval. The product is perfect for solutions that require compactness and efficiency, and is an effective alternative to shell-and-tube exchangers.



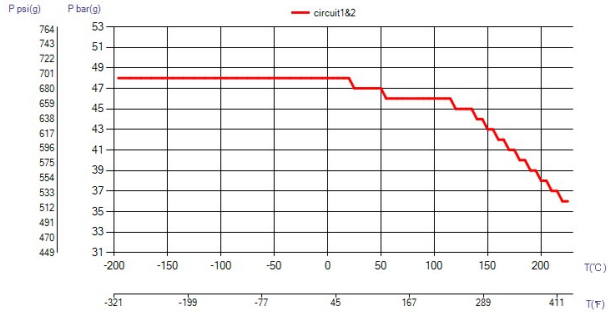
<b>Maximum number of plates (NoP)</b>	250
<b>Max flow</b>	43.7 m <sup>3</sup> /h (192.41 gpm)
<b>Channel volume</b>	0.241/0.241 dm <sup>3</sup> (0.0085/0.0085 ft <sup>3</sup> )
<b>Material</b>	316/316L stainless steel plates, copper brazing
<b>Weight excl. connections</b>	9.45+(0.4*NoP) kg 20.84+(0.882*NoP) lb
<b>Max Particle Size (mm)</b>	1



#	MM	IN
A	525	20.67
B	243	9.57
C	448.50	17.66
D	163.50	6.44
F	10,00+2,29*(NoP)	0.39+0.09 *(NoP)
G	4	0.16
H	450	17.72
I	171	6.73
J	4.50	0.18
K	42	1.65
N	37.50	1.48
R	35	1.38
E_1	54	2.13
E_2	27	1.06



Threaded Connection    Victaulic Connection    Solder Connection    Combo Connection    Flange Connection    Weld Connection



## UL Tryck/Temperatur

