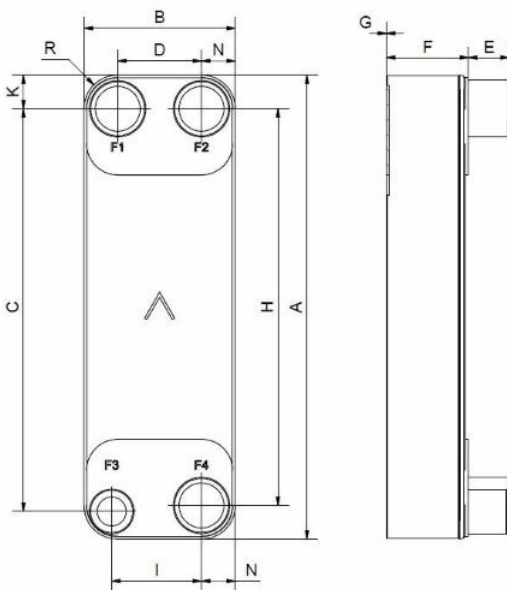


SWEP V250AS

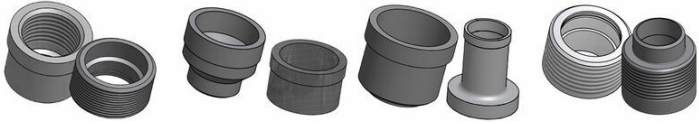
Our V250AS is a high-efficiency single-circuit evaporator, specially developed for air- and water-cooled reversible chiller applications. Its large ports and asymmetric plate design deliver an effective operating range of 80-250 kW. Our AsyMatrix® plate pattern improves heat transfer while reducing water pressure drop and refrigerant charge.



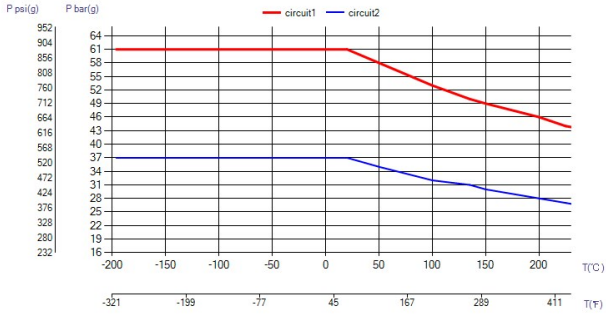
| | |
|---------------------------------------|--|
| Maximum number of plates (NoP) | 250 |
| Max flow | 62 m³/h (272.98 gpm) |
| Channel volume | 0.172/0.202 dm³ (0.0061/0.0071 ft³) |
| Material | 304 Stainless Steel Plates, Copper Brazing |
| Weight excl. connections | 8.40+(0.3495*NoP) kg 18.52+(0.771*NoP) lb |
| Max Particle Size (mm) | 0.8 |



| # | MM | IN |
|-----|------------------|------------------|
| A | 620 | 24.41 |
| B | 202 | 7.95 |
| C | 538 | 21.18 |
| D | 112 | 4.41 |
| F | 14,00+1,91*(NoP) | 0.55+0.08 *(NoP) |
| G | 0 | 0 |
| H | 530 | 20.87 |
| I | 120 | 4.72 |
| K | 45 | 1.77 |
| N | 45 | 1.77 |
| R | 45 | 1.77 |
| E_1 | 27 | 1.06 |
| E_2 | 54 | 2.13 |



Threaded Connection Victaulic Connection Solder Connection Combo Connection



UL Tryck/Temperatur

