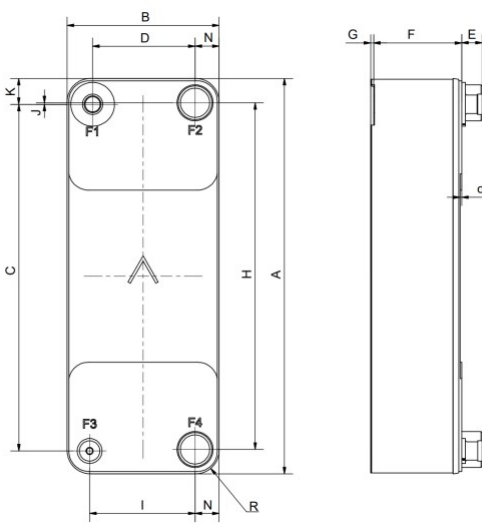


SWEP FI190

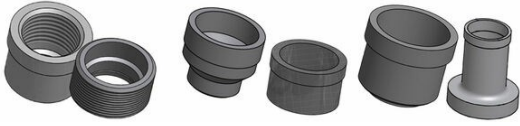
The FI190 from SWEP is a high-efficiency, single-circuit evaporator, especially (or particularly) developed for air- and water-cooled reversible chiller applications using low-GWP refrigerants. The compact design with next generation AsyMatrix® plate pattern, improves the heat transfer while drastically reducing water pressure drop and refrigerant charge. The FI190 has an effective operating range from 60 to 150 kW.



Maximum number of plates (NoP)	140
Max flow	28 m ³ /h (123.28 gpm)
Channel volume	0.149/0.172 dm ³ (0.0053/0.0061 ft ³)
Material	316 Stainless Steel Plates, Cover Plates in 304 Stainless Steel, Copper Brazing
Weight excl. connections	6.45+(0.289*NoP) kg 14.22+(0.637*NoP) lb
Max Particle Size (mm)	0.8



#	MM	IN
A	524.50	20.65
B	202	7.95
C	460	18.11
D	136	5.35
F	10,00+1,91*(NoP)	0.39+0.08 *(NoP)
G	2	0.08
H	460	18.11
I	140	5.51
J	2	0.08
K	34.30	1.35
N	32	1.26
O	2	0.08
R	30	1.18
E_1	27	1.06
E_2	54	2.13



Threaded Connection Victaulic Connection Solder Connection

