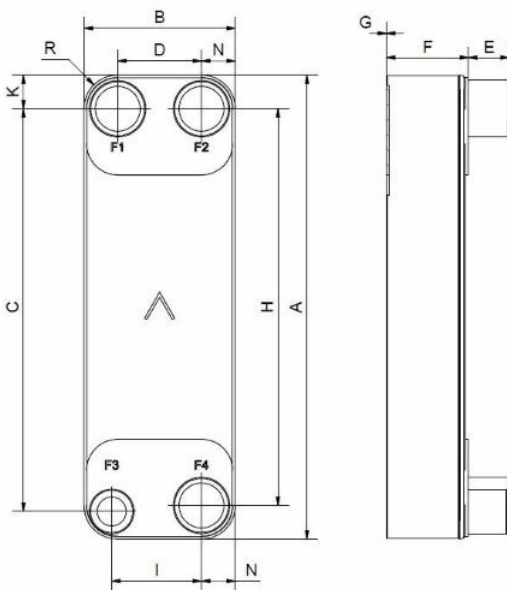


SWEP B250AS

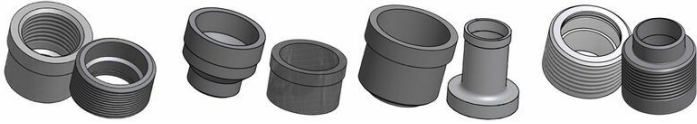
Our B250AS is a high-efficiency single-circuit condenser, specially developed for water-cooled chiller and heat pump applications. Its large ports and asymmetric plate design deliver an effective operating range of 80-250 kW. Our AsyMatrix® plate pattern improves heat transfer while reducing water pressure drop and refrigerant charge.



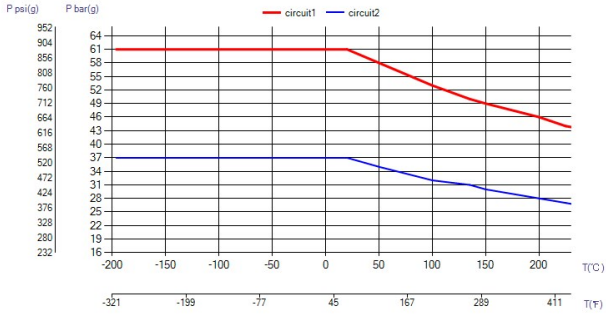
Maximum number of plates (NoP)	300
Max flow	62 m ³ /h (272.98 gpm)
Channel volume	0.172/0.202 dm ³ (0.0061/0.0071 ft ³)
Material	304 Stainless Steel Plates, Copper Brazing
Weight excl. connections	8.40+(0.337*NoP) kg 18.52+(0.743*NoP) lb
Max Particle Size (mm)	0.8



#	MM	IN
A	620	24.41
B	202	7.95
C	538	21.18
D	112	4.41
F	14,00+1,91*(NoP)	0.55+0.08 *(NoP)
G	0	0
H	530	20.87
I	120	4.72
K	45	1.77
N	45	1.77
R	45	1.77
E_1	27	1.06
E_2	54	2.13



Threaded Connection Victaulic Connection Solder Connection Combo Connection



UL Tryck/Temperatur

