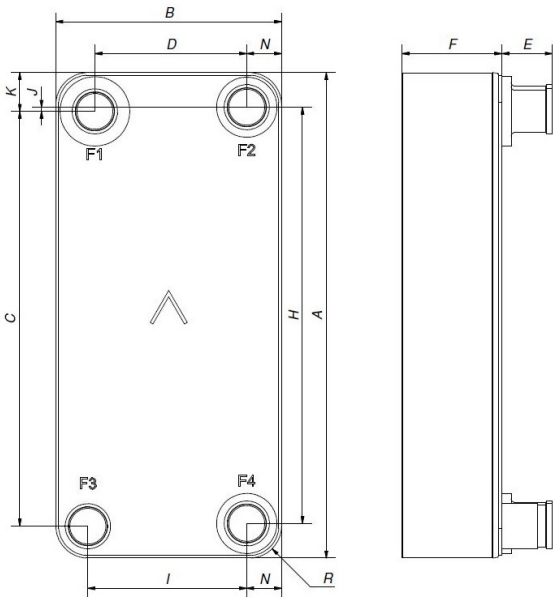


SWEP F200T

The F200T is an evaporator optimized for high performance. It combines compact size and a specially developed plate pattern in a highly efficient heat exchanger with a long thermal length. The F200T is the perfect choice for chillers, heat pumps, and economizers.



Maximum number of plates (NoP)	250
Max flow	43.7 m ³ /h (192.41 gpm)
Channel volume	0.241/0.241 dm ³ (0.0085/0.0085 ft ³)
Material	316/316L stainless steel plates, copper brazing
Weight excl. connections	9.45+(0.42*NoP) kg 20.84+(0.926*NoP) lb
Max Particle Size (mm)	1



#	MM	IN
A	525	20.67
B	243	9.57
C	448.5	17.66
D	163.5	6.44
E_1	54	2.13
E_2	27	1.06
F	10+2.29*(NoP)	0.39+0.09 *(NoP)
G	4	0.16
H	450	17.72
I	171	6.73
J	4.5	0.18
K	42	1.65
N	37.5	1.48
R	35	1.38



Threaded Connection Victaulic Connection Solder Connection Combo Connection Flange Connection Weld Connection

