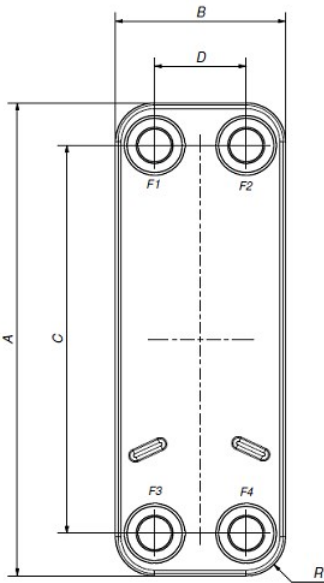


SWEP EB6T

The versatile and compact EB6T offers improved heat transfer for the majority of wall hung, noncondensing boiler applications. The flat cover plate adds the flexibility for a wide variety of stud bolt options that makes the EB6T easy to mount in most applications.



Maximum number of plates (NoP)	40
Max flow	4 m ³ /h (17.61 gpm)
Channel volume	0.026/0.026 dm ³ (0.0009/0.0009 ft ³)
Material	316/316L stainless steel plates, copper brazing
Weight excl. connections	0.18+(0.047*NoP) kg 0.40+(0.104*NoP) lb
Max Particle Size (mm)	1



#	MM	IN
A	210	8.27
B	73	2.87
C	172	6.77
D	40	1.57
F	1.30+(2.24*(NoP-1))	0.05 (NaN*(NoP-0.04))
G	7	0.28
R	17	0.67

