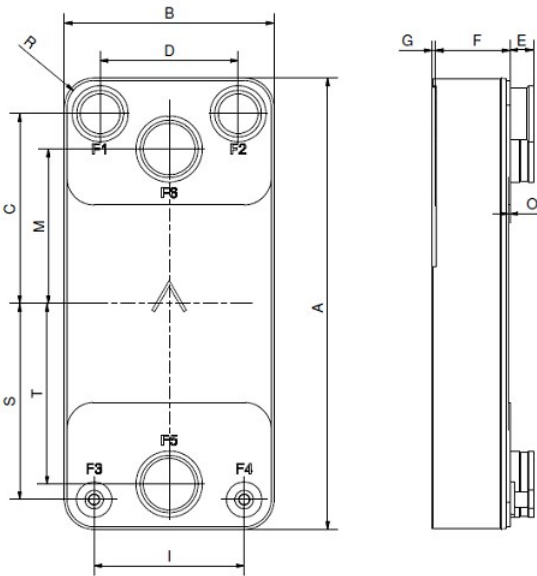


SWEP DVD300

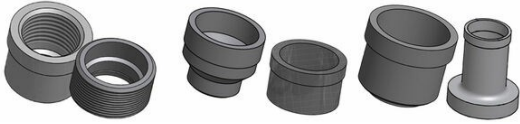
The DV300 is equipped with our patented AsyMatrix® technology and is an asymmetric evaporator combining low water pressure drop with high performance. The DV300 is a highly effective, versatile True Dual evaporator which is the perfect choice for chiller and heat pump applications. Its advantage is its ability to deliver full performance at both full and half load.



Maximum number of plates (NoP)	346
Max flow	60 m³/h (264.17 gpm)
Channel volume	0.175/0.207 dm³ (0.0062/0.0073 ft³)
Material	316/316L stainless steel plates, copper brazing
Weight excl. connections	7.75+(0.348*NoP) kg 17.08+(0.767*NoP) lb
Max Particle Size (mm)	0.8



#	MM	IN
A	525	20.67
B	243	9.57
C	221	8.7
D	160	6.3
E_1	27	1.06
E_2	54	2.13
F	10+1.89*(NoP)	0.39+0.07 *(NoP)
G	4	0.16
I	174	6.85
M	180	7.09
O	2	0.08
R	32	1.26
S	228	8.98
T	210	8.27



Threaded Connection Victaulic Connection Solder Connection

